

550V Isolation FRD Module

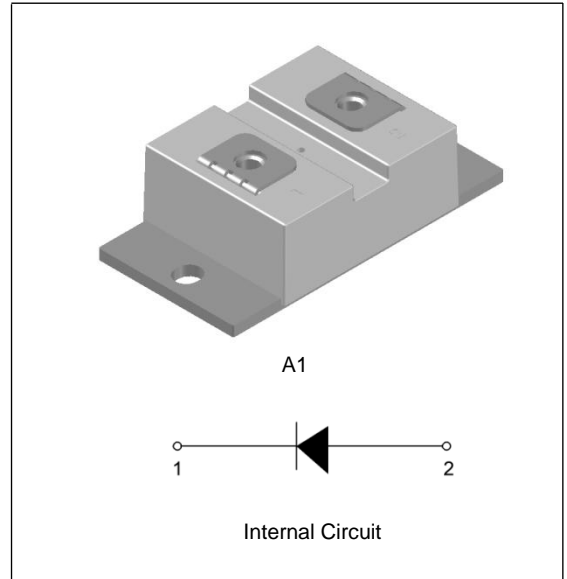
Description

The Fast Recovery Diode module devices are optimized to reduce losses and EMI/RFI in high frequency power conditioning electrical systems.

The Fast Recovery Diode module is ideally suited for power converters, inverter welders, motor drives and other applications where switching losses are significant portion of the total losses.

Features

- Repetitive Reverse Voltage: $V_{RRM} = 550V$
- Low Forward Voltage: $V_F(\text{typ.}) = 1.25V @ I_F=300A$
- Average Forward Current: $I_{F(AV)} = 300A @ T_C=100^\circ C$
- Reverse Recovery Time: $t_{rr}(\text{typ.}) = 180ns$
- Extensive Characterization of Recovery Parameters
- Reduced EMI and RFI
- Isolation Type Package
- $150^\circ C$ Operating Junction Temperature



Applications

- High Speed & High Power converters, Inverter Welders
- Various Switching and Telecommunication Power Supply

Absolute Maximum Ratings (Per diode at $T_C=25^\circ C$ unless otherwise noted)

Symbol	Parameter	Ratings	Unit
V_{RRM}	Repetitive Peak Reverse Voltage	550	V
V_R	DC Blocking Voltage	440	V
$I_{F(AV)}$	Average Rectified Forward Current	$T_C = 25^\circ C$	600
		$T_C = 100^\circ C$	300
I_{FSM}	Non-repetitive Peak Surge Current 60Hz Single Half-sine Wave	6000	A
I^2t	I^2t For Fusing 60Hz Sine Wave	$149.4 * 10^3$	A^2s
P_D	Maximum Power Dissipation	1040	W
V_{iso}	Isolation Voltage @AC 1 Minutes	2500	V
T_J	Junction Temperature	-55 ~ +150	$^\circ C$
T_{STG}	Storage Temperature Range	-55 ~ +150	$^\circ C$
	Mounting Torque (M6)	4.0	N.m
	Terminal Torque (M6)	3.0	N.m
	Weight	133	g

Electrical Characteristics (Per diode @ $T_C=25\text{ }^\circ\text{C}$ unless otherwise noted)

Symbol	Parameter	Conditions	Min.	Typ.	Max.	Unit
V_F	Forward Voltage Drop	$I_F=300\text{A}$	-	1.25	1.6	V
		$I_F=300\text{A}, T_C=100^\circ\text{C}$	-	1.1	-	V
I_{RM}	Reverse Leakage Current	$V_R=550\text{V}$	-	-	0.5	mA
		$V_R=550\text{V}, T_C=100^\circ\text{C}$	-	-	1	mA
t_{rr}	Reverse Recovery Time	$I_F=1\text{A}, di/dt=-200\text{A/us}$	-	35	-	ns
t_{rr}	Reverse Recovery Time	$I_F=300\text{A}, di/dt=-200\text{A/us}$	-	180	200	ns
I_{rr}	Reverse Recovery Current		-	22	-	A
t_{rr}	Reverse Recovery Time	$I_F=300\text{A}, di/dt=-200\text{A/us}, T_C=100^\circ\text{C}$	-	400	-	ns
I_{rr}	Reverse Recovery Current		-	50	-	A

Thermal Characteristics

Symbol	Parameter	Ratings	Unit
$R_{th(J-C)}$	Thermal Resistance, Junction to case	0.12	$^\circ\text{C/W}$

Typical Performance Characteristics

Fig. 1. Typical Characteristics: V_F vs. I_F

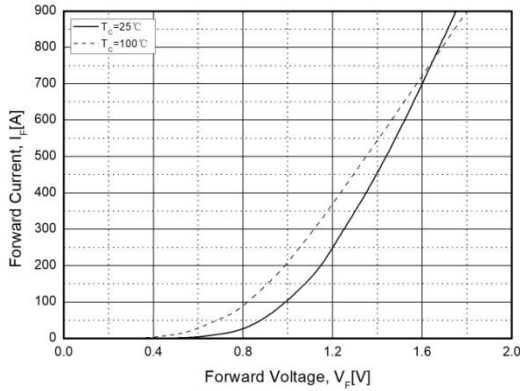


Fig. 2. Typical Reverse Recovery Time vs. di/dt

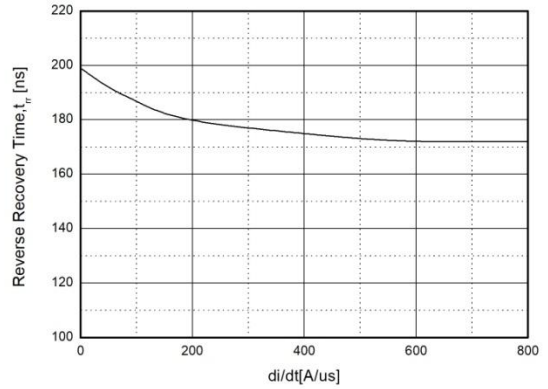


Fig. 3. Transient Thermal Impedance Characteristics ($R_{th(J-C)}$)

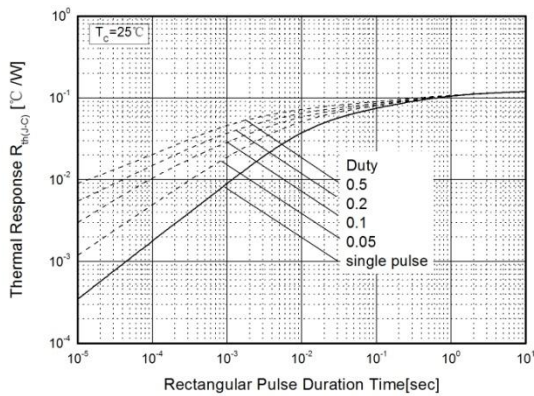
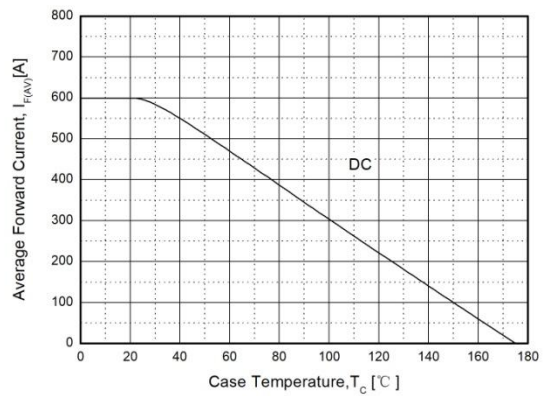
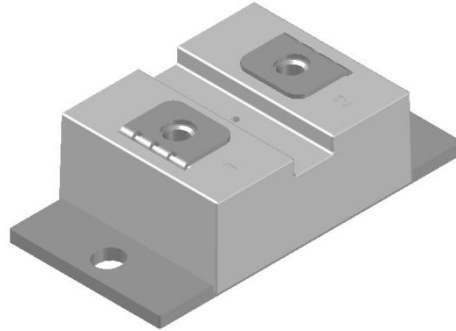


Fig. 4. Forward Current Derating Curve



Package Dimensions

A1



(Dimensions in Millimeters)

