

Description

- 1) A package of series of two chips.
- 2) With high thermal conductivity DBC as the insulation.
- 3) Welding by vacuum welding technology, which provide high reliability.



Typical Application

DC motor control, temperature control and light control system.

Absolute Maximum Ratings (Packaged into modules, unless otherwise specified, $T_{CASE}=25^{\circ}C$)

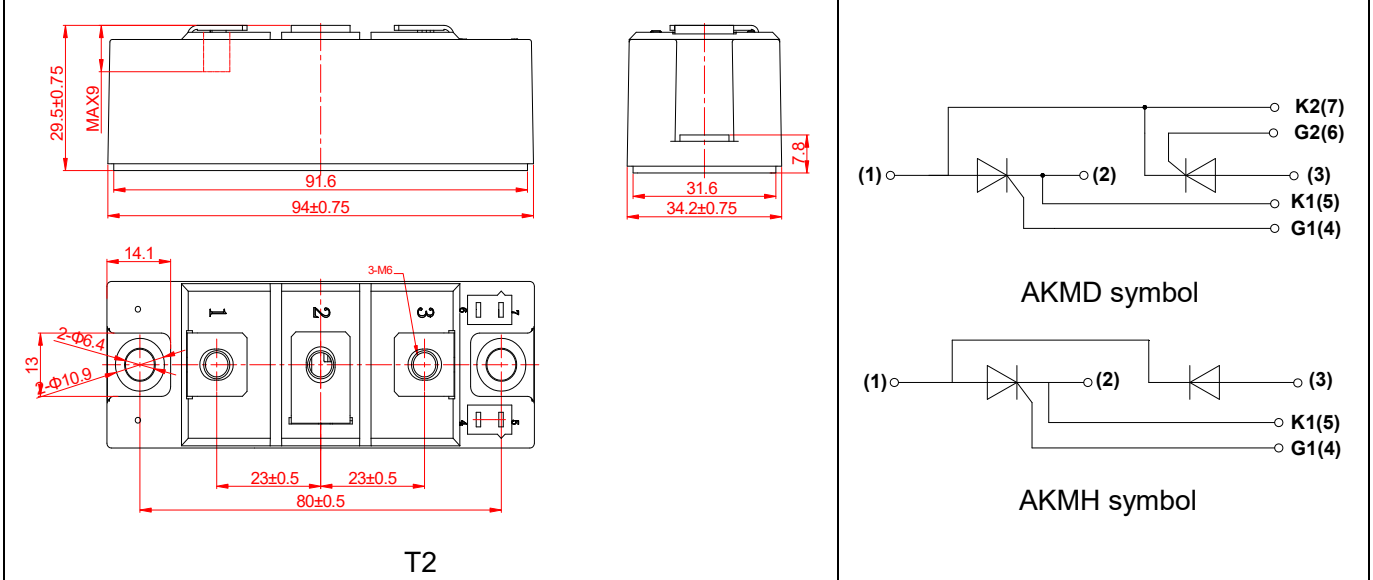
Parameter	Test Conditions	Symbol	Values	Unit
Operating junction temperature range		T_j	-40~125	$^{\circ}C$
Storage temperature range		T_{stg}	-40~125	$^{\circ}C$
Repetitive peak off-state voltage	$T_j=25^{\circ}C$	V_{DRM}	2200	V
Repetitive peak reverse voltage	$T_j=25^{\circ}C$	V_{RRM}	2200	V
Non-repetitive peak off-state voltage	$T_j=25^{\circ}C$	V_{DSM}	2300	V
Non-repetitive peak reverse voltage	$T_j=25^{\circ}C$	V_{RSM}	2300	V
Average on-state current	$T_C=85^{\circ}C$	$I_{T(AV)}/I_{F(AV)}$	130	A
Peak on-state surge current	$t_p=10ms$ $V_R=0.6V_{RRM}$	I_{TSM}/I_{FSM}	2600	A
I^2t value for fusing	$t_p=10ms$ $V_R=0.6V_{RRM}$	I^2t	33800	A^2s
Critical rate of rise of on-state current	$I_G=2 \times I_{GT}$	di/dt	150	$A/\mu s$
Insulation voltage	A.C 50Hz(1s/1min)	V_{ISO}	3600/3000	V

Electrical Characteristics (Packaged into modules, unless otherwise specified, $T_{CASE}=25^{\circ}C$)

Parameter	Test Conditions	Symbol	Values	Unit
Peak on-state voltage	$I_T=390A$ $t_p=380\mu s$	V_{TM}	≤ 1.8	V
Threshold voltage	$T_j=125^{\circ}C$	V_{TO}	≤ 0.89	V
Dynamic resistance	$T_j=125^{\circ}C$	R_d	≤ 2.1	m Ω
Repetitive peak off-state current	$V_D=V_{DRM}$ $T_C=25^{\circ}C$	I_{DRM1}	≤ 100	μA
	$T_C=125^{\circ}C$	I_{DRM2}	≤ 50	mA
Repetitive peak reverse current	$V_R=V_{RRM}$ $T_C=25^{\circ}C$	I_{RRM1}	≤ 100	μA
	$T_C=125^{\circ}C$	I_{RRM2}	≤ 50	mA
Triggering gate current	$V_D=12V$ $R_L=30\Omega$	I_{GT}	20-120	mA
Holding current	$I_T=1A$	I_H	≤ 250	mA
Latching current	$I_G=1.2 I_{GT}$	I_L	≤ 300	mA
Triggering gate voltage	$V_D=12V$ $R_L=30\Omega$	V_{GT}	≤ 1.8	V
Non triggering gate voltage	$V_D=V_{DRM}$ $T_j=125^{\circ}C$	V_{GD}	≥ 0.25	V
Critical rate of rise of voltage	$V_D=2/3V_{DRM}$ $T_j=125^{\circ}C$ Gate Open	dv/dt	≥ 1000	V/ μs
Thermal resistance	Junction to case	$R_{th(j-c)}$	0.21	$^{\circ}C/W$
	Case to heatsink	$R_{th(c-s)}$	0.14	

Mechanical Characteristics

Module size	94mm×34.2mm
Module height	29.5mm
Terminal distance of (1)/(2)/(3)	23mm
Mounting torque(M5)	5±15%Nm
Terminal torque(M6)	5±15%Nm



Performance Curves

FIG.1: Power dissipation vs. on-state current (per thyristor or diode)

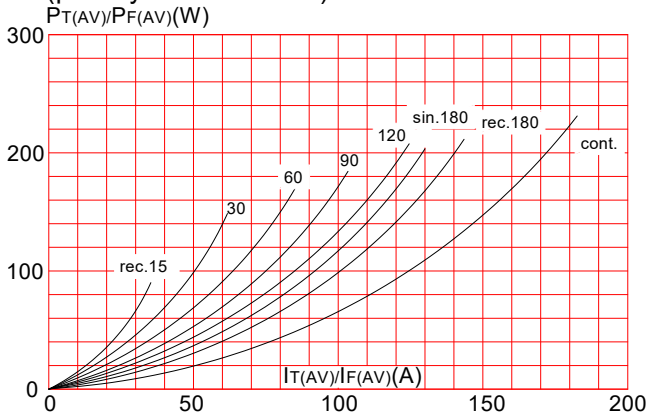


FIG.2: Maximum transient thermal impedance junction to case(per thyristor or diode)

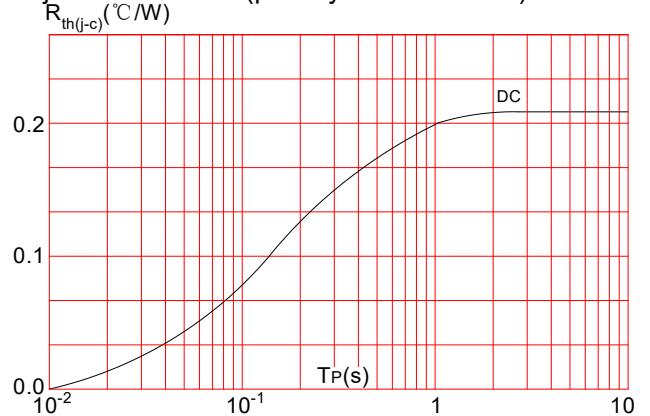


FIG.3: Forward characteristics
(per thyristor or diode)

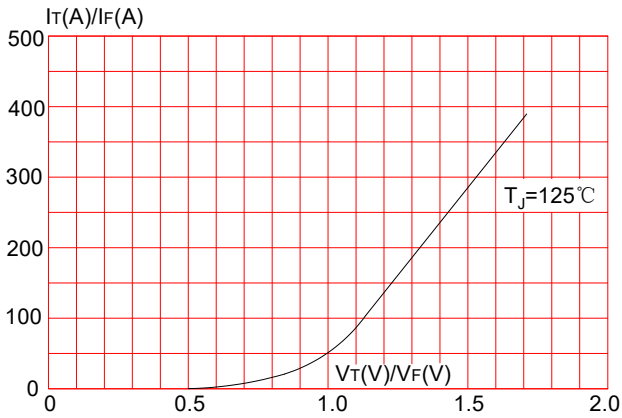
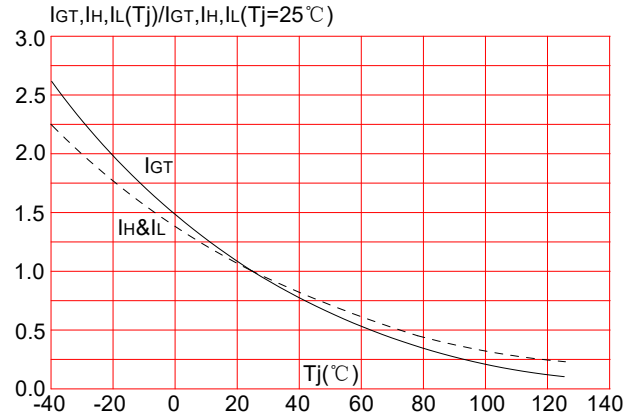


FIG.4: Relative variations of gate trigger current, holding current and latching current versus junction temperature



Ordering Information

