

400V Non-isolation FRD Module

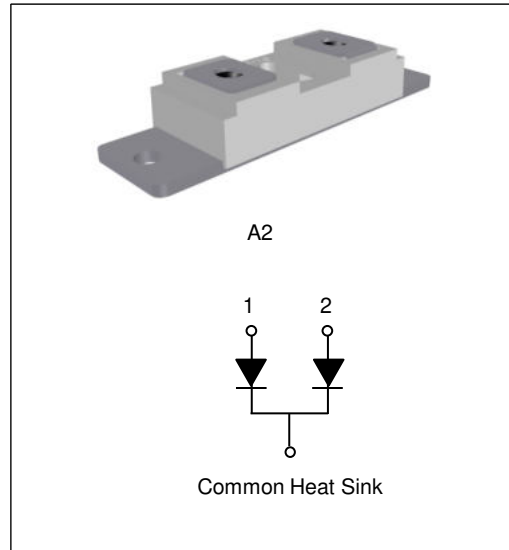
Description

The Ultrafast Recovery Diode Module Devices are optimized to reduce losses and EMI/RFI in high frequency power conditioning electrical systems.

The Ultrafast Recovery Diode Module is ideally suited for power converters, inverter welders, motors drives and other applications where switching losses are significant portion of the total losses.

Features

- Repetitive Reverse Voltage: $V_{RRM} = 400V$
- Low Forward Voltage: $V_F(\text{typ.}) = 1.2V @ I_F=240A$
- Average Forward Current: $I_{F(AV)}=240A @ T_C=100^\circ C$
- Ultrafast Reverse Recovery Time: $t_{rr}(\text{typ.}) = 105ns$
- Extensive Characterization of Recovery Parameters
- Reduced EMI and RFI
- Non-isolation Type Package
- $175^\circ C$ Operating Junction Temperature
- Built-in Dual FRD Construction



Applications

- High Speed & High Power converters, Inverter Welders
- Various Switching and Telecommunication Power Supply

Absolute Maximum Ratings ($T_C=25^\circ C$, unless otherwise noted)

Symbol	Parameter		Rated	Unit	
V_{RRM}	Repetitive Peak Reverse Voltage		400	V	
V_R	DC Blocking Voltage		320	V	
$I_{F(AV)}$	Average Rectified Forward Current	Per Diode	$T_C = 25^\circ C$	400	A
			$T_C = 100^\circ C$	240	
		Per Package	$T_C = 25^\circ C$	800	
			$T_C = 100^\circ C$	480	
I_{FSM}	Non-repetitive Peak Surge Current (Per Diode) 60Hz Single Half-sine Wave		2800	A	
I^2t	I^2t For Fusing 60Hz Single Half-sine Wave		$32.5 \cdot 10^3$	A^2S	
P_D	Maximum Power Dissipation		750	W	
T_J	Junction Temperature		-55 ~ +175	$^\circ C$	
T_{STG}	Storage Temperature		-55 ~ +150	$^\circ C$	
	Mounting Torque (M6)		5.0	N.m	
	Terminal Torque (M6)		3.0	N.m	
	Weight		95	g	

Electrical Characteristics (Per Diode, $T_C=25\text{ }^\circ\text{C}$, unless otherwise noted)

Symbol	Parameter	Conditions	Min.	Typ.	Max.	Unit
V_F	Forward Voltage Drop	$I_F=240\text{A}$	-	1.2	1.35	V
		$I_F=240\text{A}, T_C=100\text{ }^\circ\text{C}$	-	1.05	-	V
I_{RM}	Reverse Leakage Current	$V_R=400\text{V}$	-	-	0.5	mA
		$V_R=400\text{V}, T_C=100\text{ }^\circ\text{C}$	-	-	1	mA
t_{rr}	Reverse Recovery Time	$I_F=1\text{A}, di/dt=-200\text{A/us}$	-	34	-	ns
t_{rr}	Reverse Recovery Time	$I_F=240\text{A}, di/dt=-200\text{A/us}$	-	105	125	ns
I_{rr}	Reverse Recovery Current		-	18.5	-	A
t_{rr}	Reverse Recovery Time	$I_F=240\text{A}, di/dt=-200\text{A/us}, T_C=100\text{ }^\circ\text{C}$	-	160	-	ns
I_{rr}	Reverse Recovery Current		-	28.0	-	A

Thermal Characteristics

Symbol	Parameter	Ratings	Unit
$R_{th(J-C)}$	Thermal Resistance, Junction to case	0.17	$^\circ\text{C/W}$

Typical Performance Characteristics

Fig. 1. Typical Characteristics: V_F vs. I_F

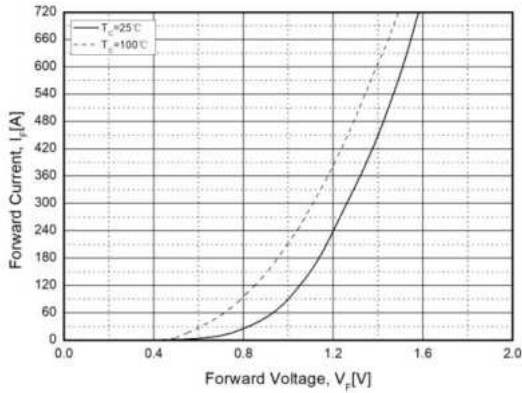


Fig. 2. Typical Reverse Recovery Time vs. di/dt

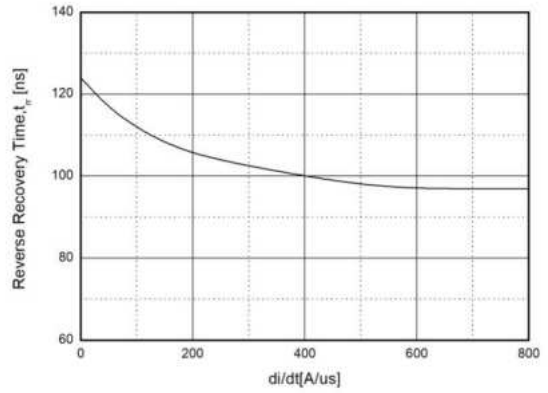


Fig. 3. Transient Thermal Impedance Characteristics (R_{thjc})

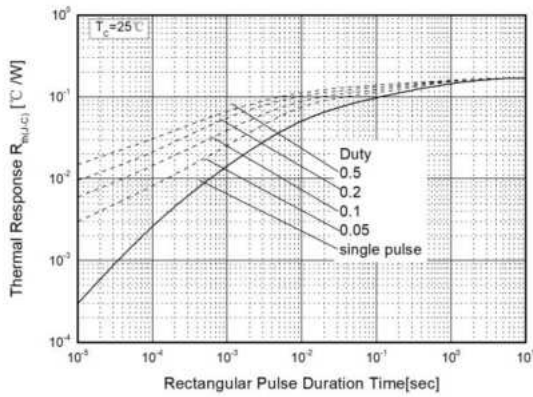
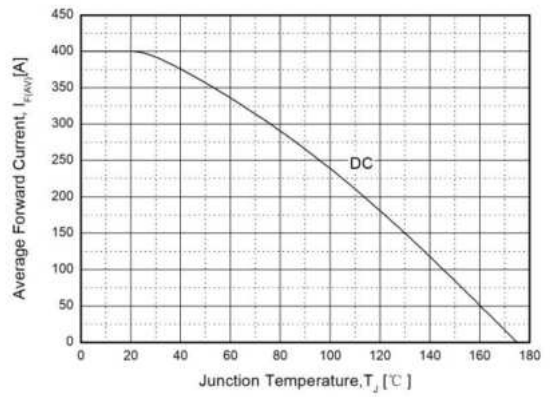
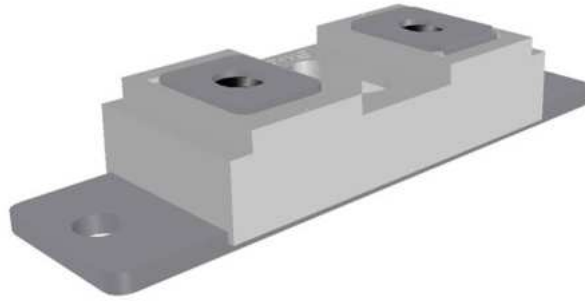


Fig. 4. Forward Current Derating Curve



Package Dimensions

A2



(Dimensions in Millimeters)

