

## 400V Non-isolation FRD Module

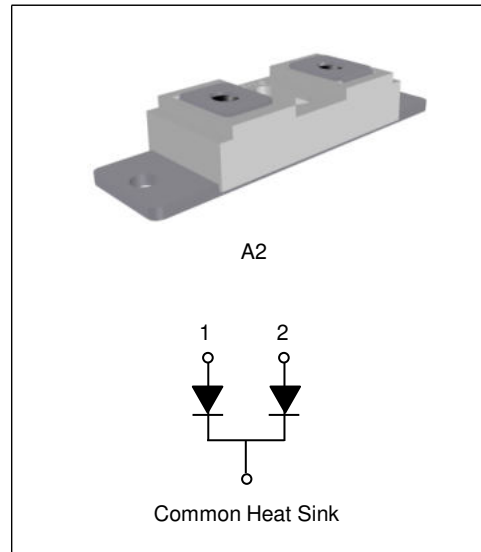
### Description

The Ultrafast Recovery Diode Module Devices are optimized to reduce losses and EMI/RFI in high frequency power conditioning electrical systems.

The Ultrafast Recovery Diode Module is ideally suited for power converters, inverter welders, motors drives and other applications where switching losses are significant portion of the total losses.

### Features

- Repetitive Reverse Voltage:  $V_{RRM} = 400V$
- Low Forward Voltage:  $V_F(\text{typ.}) = 1.2V @ I_F=180A$
- Average Forward Current:  $I_{F(AV)}=180A @ T_C=100^\circ C$
- Ultrafast Reverse Recovery Time:  $t_{rr}(\text{typ.}) = 90ns$
- Extensive Characterization of Recovery Parameters
- Reduced EMI and RFI
- Non-isolation Type Package
- $175^\circ C$  Operating Junction Temperature
- Built-in Dual FRD Construction



### Applications

- High Speed & High Power converters, Inverter Welders
- Various Switching and Telecommunication Power Supply

### Absolute Maximum Ratings ( $T_C=25^\circ C$ , unless otherwise noted)

Symbol	Parameter		Rated	Unit	
$V_{RRM}$	Repetitive Peak Reverse Voltage		400	V	
$V_R$	DC Blocking Voltage		320	V	
$I_{F(AV)}$	Average Rectified Forward Current	Per Diode	$T_C = 25^\circ C$	300	A
			$T_C = 100^\circ C$	180	
		Per Package	$T_C = 25^\circ C$	600	
			$T_C = 100^\circ C$	360	
$I_{FSM}$	Non-repetitive Peak Surge Current (Per Diode) 60Hz Single Half-sine Wave		2300	A	
$I^2t$	$I^2t$ For Fusing 60Hz Single Half-sine Wave		$30 \times 10^3$	$A^2S$	
$P_D$	Maximum Power Dissipation		750	W	
$T_J$	Junction Temperature		-55 ~ +175	$^\circ C$	
$T_{STG}$	Storage Temperature		-55 ~ +150	$^\circ C$	
	Mounting Torque (M6)		5.0	N.m	
	Terminal Torque (M6)		3.0	N.m	
	Weight		95	g	

## Electrical Characteristics (Per Diode, $T_C=25\text{ }^\circ\text{C}$ , unless otherwise noted)

Symbol	Parameter	Conditions	Min.	Typ.	Max.	Unit
$V_F$	Forward Voltage Drop	$I_F=180\text{A}$	-	1.2	1.35	V
		$I_F=180\text{A}, T_C=100\text{ }^\circ\text{C}$	-	1.05	-	V
$I_{RM}$	Reverse Leakage Current	$V_R=400\text{V}$	-	-	0.5	mA
		$V_R=400\text{V}, T_C=100\text{ }^\circ\text{C}$	-	-	1	mA
$t_{rr}$	Reverse Recovery Time	$I_F=1\text{A}, di/dt=-200\text{A/us}$	-	34	-	ns
$t_{rr}$	Reverse Recovery Time	$I_F=180\text{A}, di/dt=-200\text{A/us}$	-	90	115	ns
$I_{rr}$	Reverse Recovery Current		-	9.0	-	A
$t_{rr}$	Reverse Recovery Time	$I_F=180\text{A}, di/dt=-200\text{A/us}, T_C=100\text{ }^\circ\text{C}$	-	140	-	ns
$I_{rr}$	Reverse Recovery Current		-	14.5	-	A

## Thermal Characteristics

Symbol	Parameter	Ratings	Unit
$R_{th(J-C)}$	Thermal Resistance, Junction to case	0.17	$^\circ\text{C/W}$

Fig. 1. Typical Characteristics:  $V_F$  vs.  $I_F$

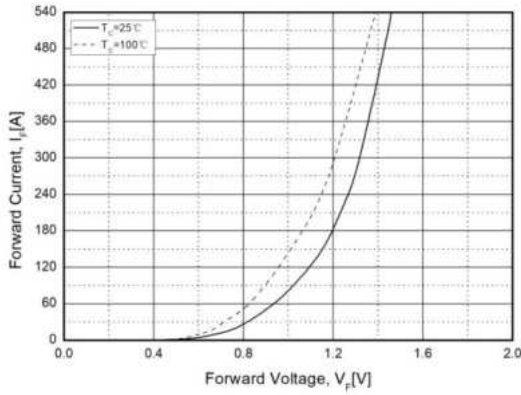


Fig. 2. Typical Reverse Recovery Time vs.  $di/dt$

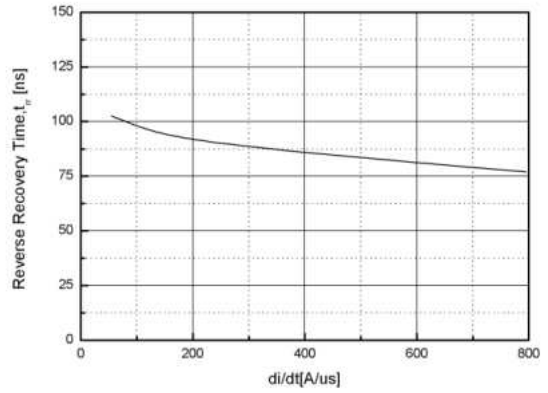


Fig. 3. Transient Thermal Impedance Characteristics ( $R_{thjc}$ )

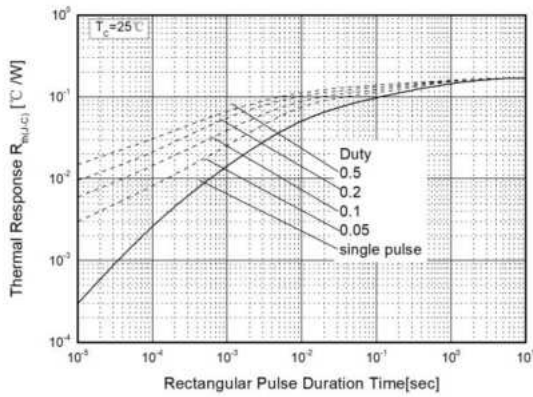
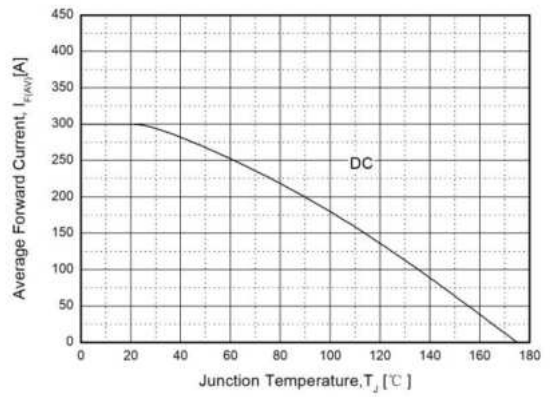
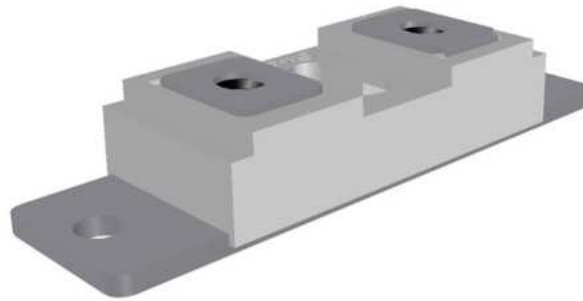


Fig. 4. Forward Current Derating Curve



**Package Dimensions**

A2



(Dimensions in Millimeters)

