

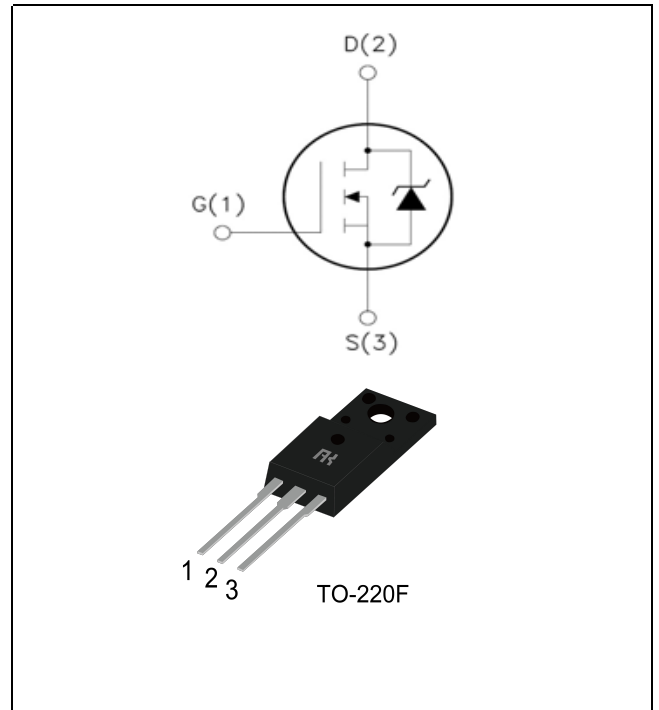
650V,12A N-CHANNEL POWER MOSFET

GENERAL DESCRIPTION

The AKF12N65P is a high voltage power MOSFET and is designed to have better characteristics, such as fast switching time, low gate charge, low on-state resistance and have a high rugged avalanche characteristics . It can be used in a wide variety applications.

Features:

- ◆ Low Intrinsic Capacitances
- ◆ Excellent Switching Characteristics
- ◆ Extended Safe Operating Area
- ◆ Unrivalled Gate Charge :Qg= 44nC (Typ.)
- ◆ BVDSS=650V,ID=12A
- ◆ $R_{DS(on)}$:0.68 Ω (Max) @VG=10V
- ◆ 100% Avalanche Tested



Absolute Maximum Ratings($T_a=25^{\circ}C$ unless otherwise noted)

Symbol	Parameter	Value	Unit
V_{DSS}	Drain-Source Voltage	650	V
I_D	Drain Current	$T_j=25^{\circ}C$	12
		$T_j=100^{\circ}C$	7.9
$V_{GS(TH)}$	Gate Threshold Voltage	± 30	V
E_{AS}	Single Pulse Avalanche Energy (note1)	660	mJ
I_{AR}	Avalanche Current (note2)	12	A
P_D	Power Dissipation ($T_j=25^{\circ}C$)	44	W
T_j	Junction Temperature(Max)	150	$^{\circ}C$
T_{stg}	Storage Temperature	-55~+150	$^{\circ}C$
TL	Maximum lead temperature for soldering purpose, 1/8 μ S from case for 5 seconds	300	$^{\circ}C$

Thermal Characteristics

Symbol	Parameter	Typ.	Max.	Unit
$R_{\theta JC}$	Thermal Resistance, Junction to Case	-	2.8	$^{\circ}C/W$
$R_{\theta JA}$	Thermal Resistance, Junction to Ambient	-	62.5	$^{\circ}C/W$

Electrical Characteristics (Ta=25°C unless otherwise noted)

Symbol	Parameter	Test Condition	Min.	Typ.	Max.	Unit
Off Characteristics						
BV_{DSS}	Drain-Source Breakdown Voltage	$I_D=250\mu A, V_{GS}=0$	650	-	-	V
$\Delta BV_{DSS}/\Delta T_J$	Breakdown Voltage Temperature Coefficient	$I_D=250\mu A$, Reference to 25°C	-	0.71	-	V/°C
I_{DSS}	Zero Gate Voltage Drain Current	$V_{DS}=650V, V_{GS}=0V$	-	-	10	μA
		$V_{DS}=520V, T_J=125^\circ C$	-	-	100	
I_{GSSF}	Gate-body leakage Current, Forward	$V_{GS}=+30V, V_{DS}=0V$	-	-	100	nA
I_{GSSR}	Gate-body leakage Current, Reverse	$V_{GS}=-30V, V_{DS}=0V$	-	-	-100	
On Characteristics						
$V_{GS(TH)}$	Gate Threshold Voltage	$I_D=250\mu A, V_{DS}=V_{GS}$	2	-	4	V
$R_{DS(ON)}$	Static Drain-Source On-Resistance	$I_D=6.0A, V_{GS}=10V$	-	-	0.68	Ω
Dynamic Characteristics						
C_{iss}	Input Capacitance	$V_{DS}=25V, V_{GS}=0, f=1.0MHz$	-	1890	-	μF
C_{oss}	Output Capacitance		-	150	-	
C_{rss}	Reverse Transfer Capacitance		-	18	-	
Switching Characteristics						
$T_{d(on)}$	Turn-On Delay Time	$V_{DD}=300V, I_D=12A, R_G=25\Omega$ (Note 3,4)	-	30	70	ns
T_r	Turn-On Rise Time		-	80	165	
$T_{d(off)}$	Turn-Off Delay Time		-	144	300	
T_f	Turn-Off Rise Time		-	77	165	
Q_g	Total Gate Charge	$V_{DS}=520V, V_{GS}=10V, I_D=12A$ (Note 3,4)	-	44	47	nC
Q_{gs}	Gate-Source Charge		-	6.7	-	
Q_{gd}	Gate-Drain Charge		-	18.5	-	
Drain-Source Diode Characteristics and Maximum Ratings						
I_S	Max. Diode Forward Current	-	-	-	12	A
I_{SM}	Max. Pulsed Forward Current	-	-	-	48	
V_{SD}	Diode Forward Voltage	$I_D=12A$	-	-	1.4	V
T_{rr}	Reverse Recovery Time	$I_S=12A, V_{GS}=0V, diF/dt=100A/\mu s$	-	380	-	nS
Q_{rr}	Reverse Recovery Charge	(Note3)	-	3.5	-	μC

Notes : 1, L=0.5mH, IAS=12A, VDD=50V, RG=25Ω, Starting T_J =25°C

2, Repetitive Rating : Pulse width limited by maximum junction temperature

3, Pulse Test : Pulse Width ≤ 300μs, Duty Cycle ≤ 2%

4, Essentially Independent of Operating Temperature

Typical Characteristics

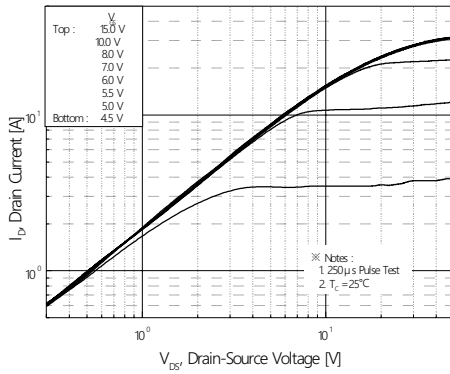


Figure 1. On-Region Characteristics

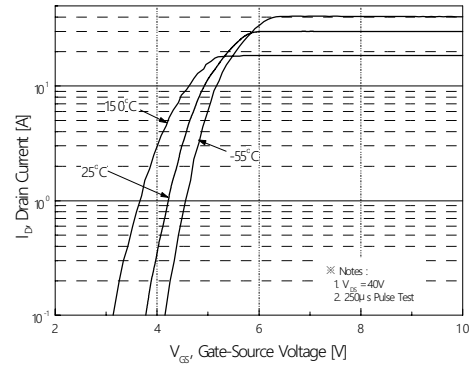


Figure 2. Transfer Characteristics

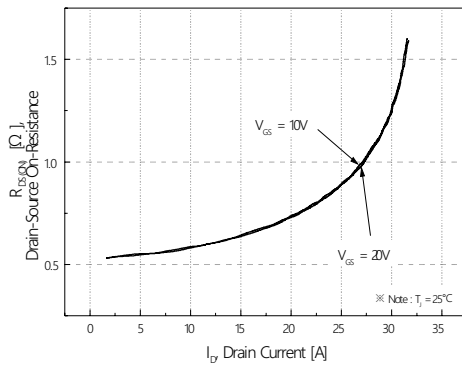


Figure 3. On-Resistance Variation vs Drain Current and Gate Voltage

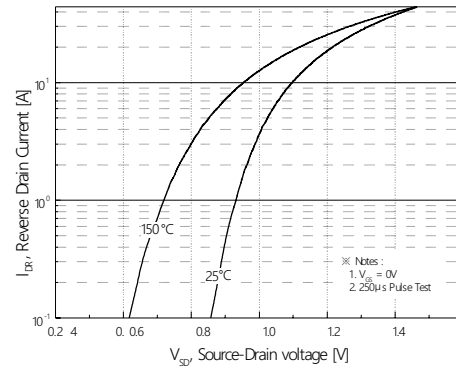


Figure 4. Body Diode Forward Voltage Variation with Source Current and Temperature

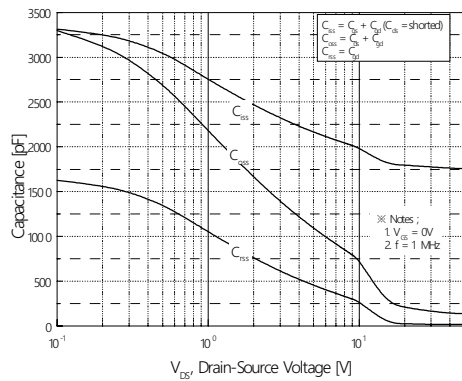


Figure 5. Capacitance Characteristics

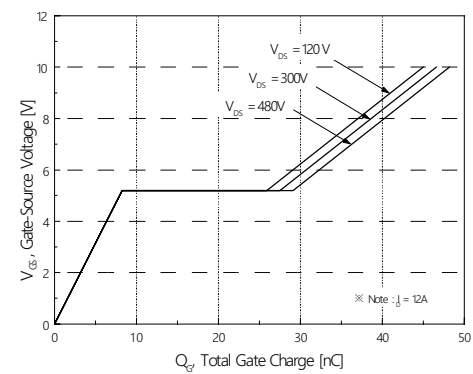


Figure 6. Gate Charge Characteristics

Typical Characteristics (Continued)

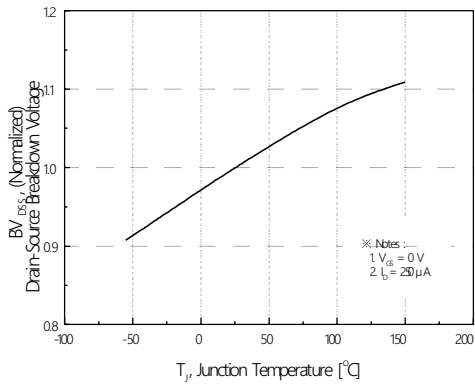


Figure 7. Breakdown Voltage Variation vs Temperature

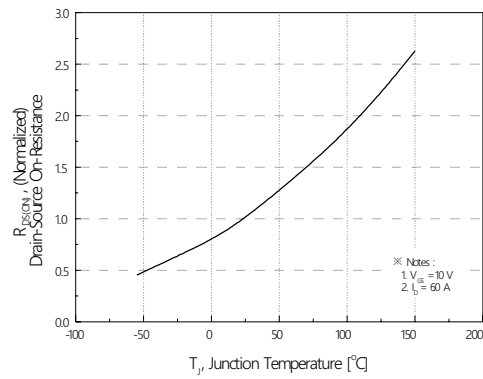


Figure 8. On-Resistance Variation vs Temperature

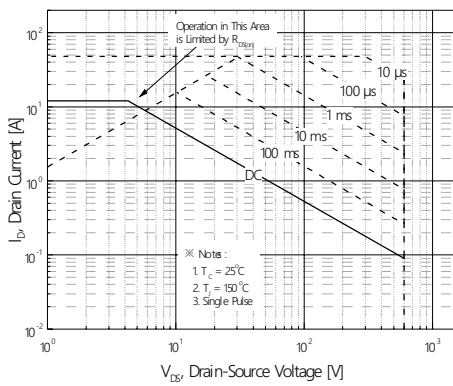


Figure 9-2. Maximum Safe Operating Area

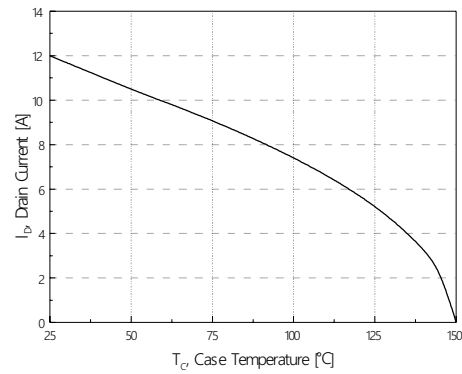


Figure 10. Maximum Drain Current vs Case Temperature

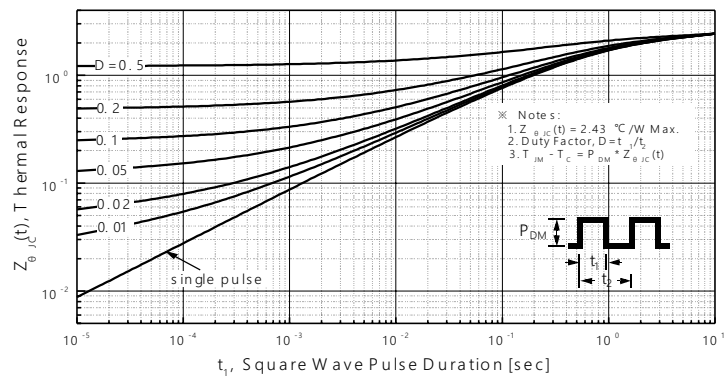
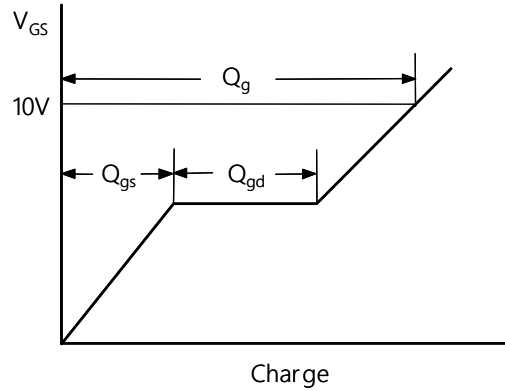
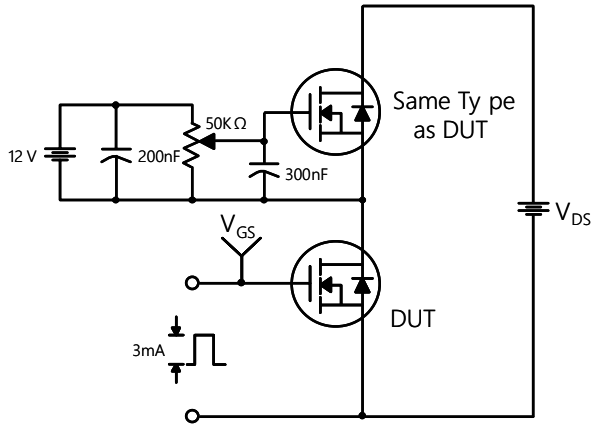
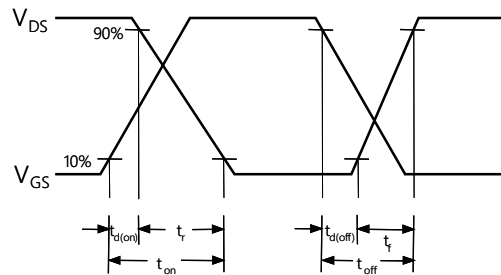
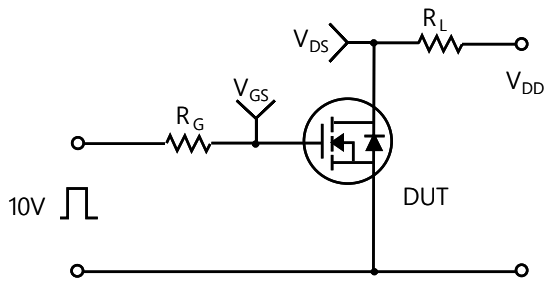


Figure 11-2. Transient Thermal Response Curve

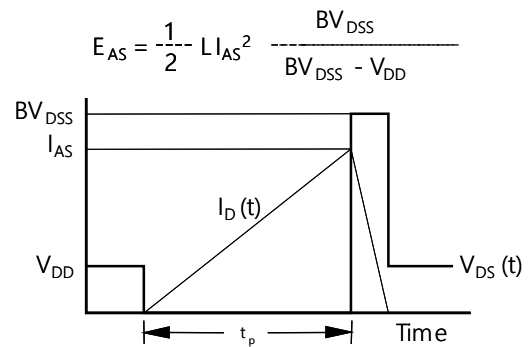
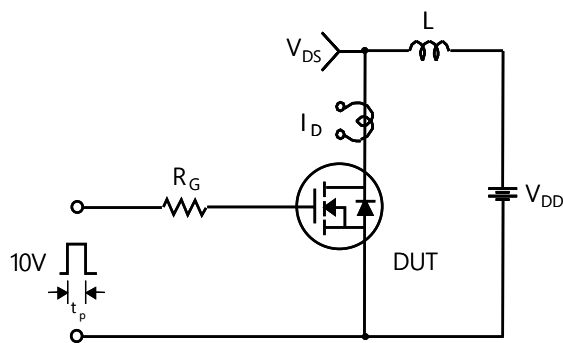
Gate Charge Test Circuit & Waveform



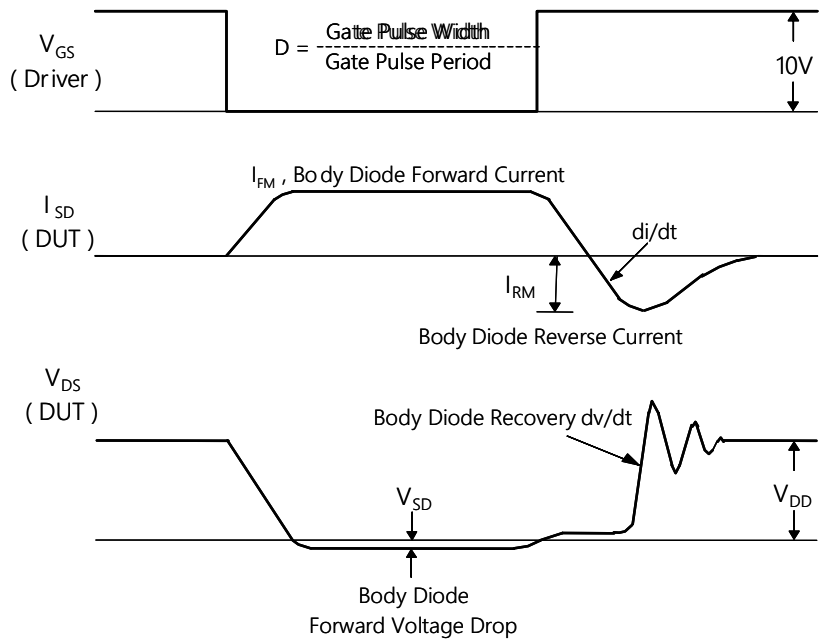
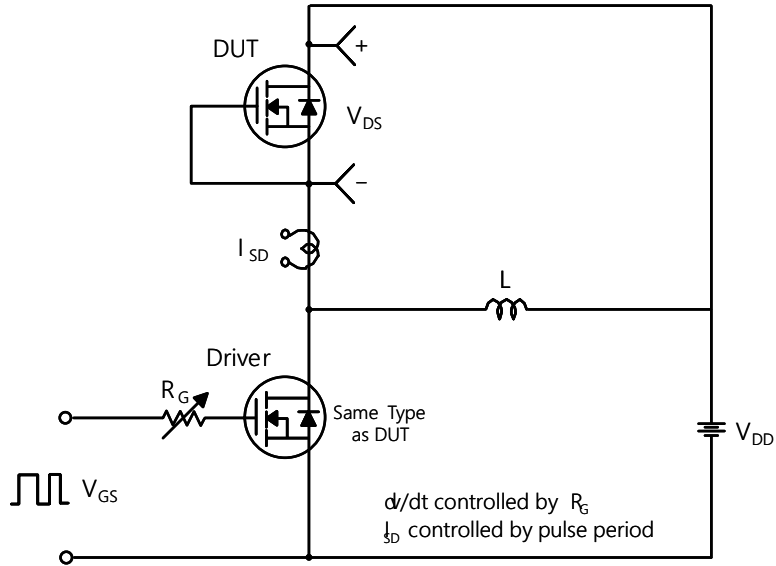
Resistive Switching Test Circuit & Waveforms



Unclamped Inductive Switching Test Circuit & Waveforms

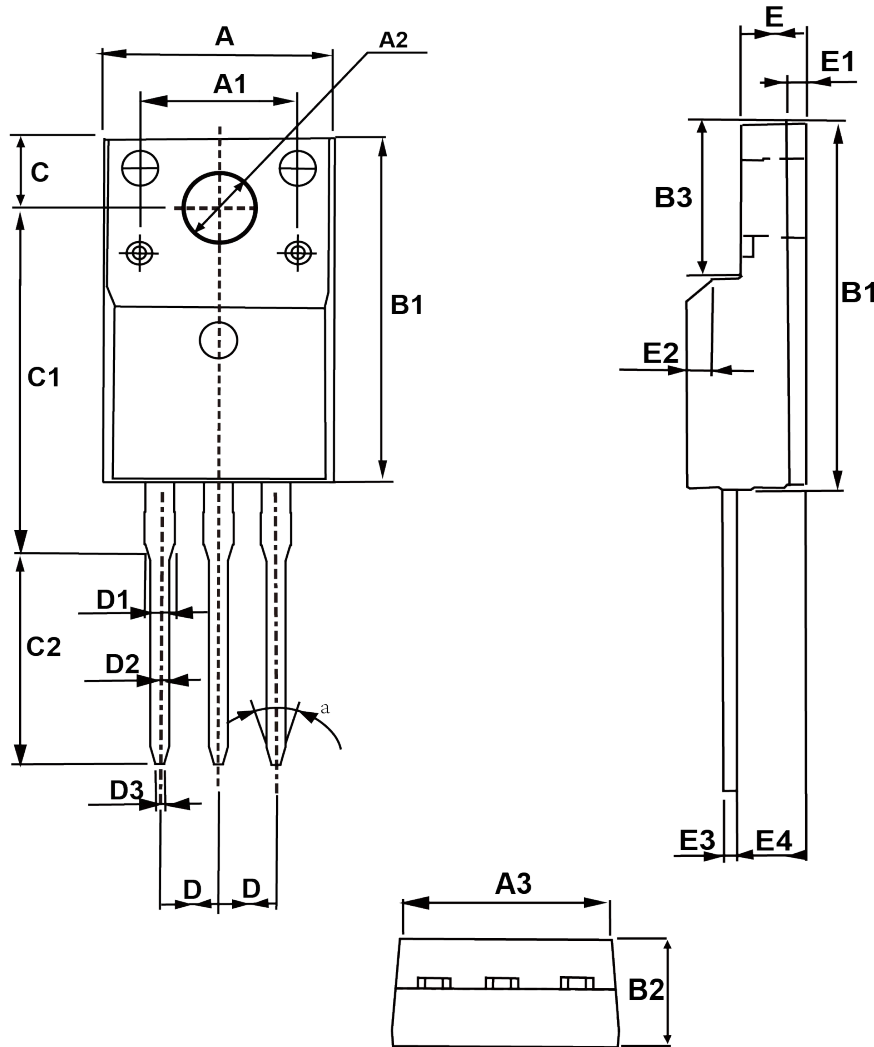


Peak Diode Recovery dv/dt Test Circuit & Waveforms



Package Dimension of TO-220F

Unit: mm



Symbol	Min	Max	Symbol	Min	Max
A	9.96	10.36	D	2.54	
A1	7.00		D1	1.15	1.35
A2	3.08	3.28	D2	0.70	0.90
A3	9.25	9.65	D3	0.28	0.48
B1	15.70	16.10	E	2.34	2.74
B2	4.50	4.90	E1	0.70	
B3	6.20	6.80	E2	1.0×45°	
C	3.20	3.40	E3	0.36	0.65
C1	15.20	16.00	E4	2.55	2.95
C2	9.75	10.15	a (angle)	30°	